



**PAMIBIA UNIVERSITY  
OF SCIENCE AND TECHNOLOGY**

**FACULTY OF HEALTH AND APPLIED SCIENCES**

**DEPARTMENT OF NATURAL AND APPLIED SCIENCES**

<b>QUALIFICATION : BACHELOR OF SCIENCE</b>	
<b>QUALIFICATION CODE: 07BOSC</b>	<b>LEVEL: 5</b>
<b>COURSE: GENERAL PHYSICS 1B</b>	<b>COURSE CODE: GNP502S</b>
<b>SESSION: NOVEMBER 2019</b>	<b>PAPER: THEORY</b>
<b>DURATION: 3 Hours</b>	<b>MARKS: 100</b>

<b>FIRST OPPORTUNITY EXAMINATION QUESTION PAPER</b>	
<b>EXAMINER(S)</b>	<b>DR ONJEFU SYLVANUS</b>
<b>MODERATOR:</b>	<b>PROF DIPTI SAHU</b>

<b>INSTRUCTIONS</b>
1. Answer ALL the questions 2. Write clearly and neatly 3. Number the answers clearly

**PERMISSIBLE MATERIALS**  
Non-programmable Calculator

**ATTACHMENT**  
None

**THIS QUESTION PAPER CONSISTS OF 6 PAGES**  
(Including this front page)

**SECTION A**

**QUESTION 1**

[40]

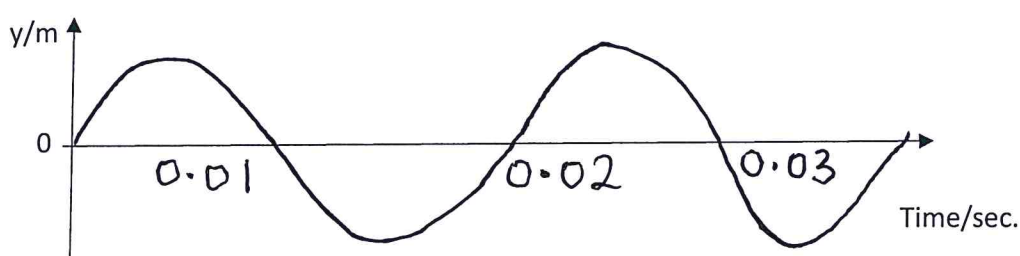
**Suggested Question Types: Multiple Choice/Objectives**

**Each question in this section carries two marks**

1.1 A radio station broadcast at a frequency of 400 KHz. If the speed of the wave is  $3 \times 10^8$  m/s, calculate the wavelength of the radio wave. (2)

- a.  $1.3 \times 10^{10}$  m    b.  $7.5 \times 10^2$  m    c.  $1.2 \times 10^{14}$  m    d.  $1.3 \times 10^{-3}$  m

1.2 The diagram below illustrates a variation of the displacement  $y$  of a wave particle with time  $t$ . If the velocity of wave is 250 m/s, calculate the frequency. (2)



- a. 0.02 Hz    b. 0.5 Hz    c. 5.0 Hz    d. 50 Hz

1.3 What is the distance between two successive particle which are in phase in Question 1.2? (2)

- a. 50 m    b. 5.0 m    c. 0.2 m    d. 0.0008 m

1.4 What is the refractive index of a substance if the real depth is 6 m and its apparent depth is 4.5 m? (2)

- a. 10.5    b. 1.33    c. 1.50    d. 0.75

1.5 One cycle of a wave takes 0.1 s to pass a stationary observer. What is the frequency of the wave? (2)

- a. 0.1 Hz    b. 0.2 Hz    c. 10 Hz    d. 20 Hz

1.6 What is the speed of the wave in Question 1.5, if its wavelength is 20 cm? (2)

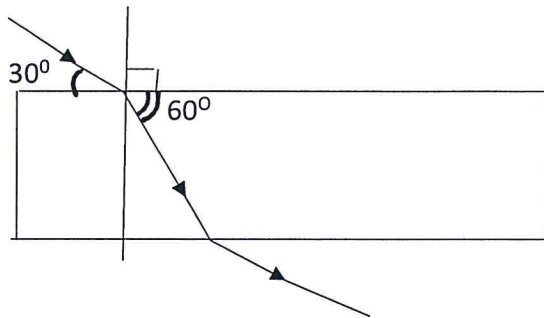
- a. 200 m/s    b. 2 cm/s    c. 2 m/s    d. 20 m/s

1.7 An object with a height of 1.00 cm is placed 10.0 cm from a concave mirror whose radius of curvature is 30.0 cm. Determine the position of the image. (2)

- a. 30 cm    b. -30 cm    c. 20 cm    d. -20 cm

- 1.8 To what level is the image in Question 1.7 magnified? (2)
- a. +3.0   b. +2.0   c. +4.0   d. +5.0
- 1.9 In the dispersion of white light into its component colors, ..... is the least bent. (2)
- a. Violet   b. blue   c. green   d. red
- 1.10 ..... has the shortest wavelength when a triangular prism spreads white light out into its component colors. (2)
- a. Yellow   b. indigo   c. orange   d. violet
- 1.11 Which of the following is not a mechanical wave? (2)
- a. Wave propagated in stretched string      b. Waves in closed pipe  
c. Radio waves                                      d. water wave
- 1.12 Wave tend to spread out or bend in when they pass an edge or through a gap. This bending effect is called what? (2)
- a. dispersion   b. diffraction   c. superposition   d. interference
- 1.13 The focusing of different colours of light at different distances behind a lens is known as what? (2)
- a. myopia   b. hyperopia   c. astigmatism   d. chromatic aberration
- 1.14 The whistle of a train emits a tone of frequency 440 Hz as the train approaches a stationary observer at 30 m/s. What frequency does the observer hear? [Speed of wave is 331 m/s]. (2)
- a. 380 Hz   b. 483 Hz   c. 485 Hz   d. 484 Hz
- 1.15 ..... is the characteristic of a note which enables us to differentiate a high note from a low note. (2)
- a. Intensity   b. node   c. pitch   d. loudness
- 1.16 A normal human ear can respond to ..... frequency range. (2)
- a. 20 Hz to 20,000 Hz   b. 20,000 Hz to 20, 000000 Hz   c. below 20 Hz  
d. above 20,000 Hz

- 1.16 The figure below shows the path of light passing through a glass block. Calculate the refractive index of the glass? (2)



- a. 30    b. 1.73    c. 1.50    d. 1.33
- 1.18 If the angle of incidence for light travelling from air to glass is  $45^\circ$  and the angle of refraction in the glass is  $28^\circ$ , determine the refractive index of glass with respect to air. (2)
- a. 1.51    b. 0.66    c. 1.62    d. 2.25
- 1.19 What is the critical angle for light travelling from water to air? [Take  ${}_a n_w = \frac{4}{3}$ ]. (2)
- a.  $0.75^\circ 1'$     b.  $48^\circ 36'$     c.  $28^\circ 40'$     d.  $25^\circ 17'$
- 1.20 The mirage is a phenomenon of ..... (2)
- a. Interference    b. total internal reflection    c. dispersion  
d. diffraction

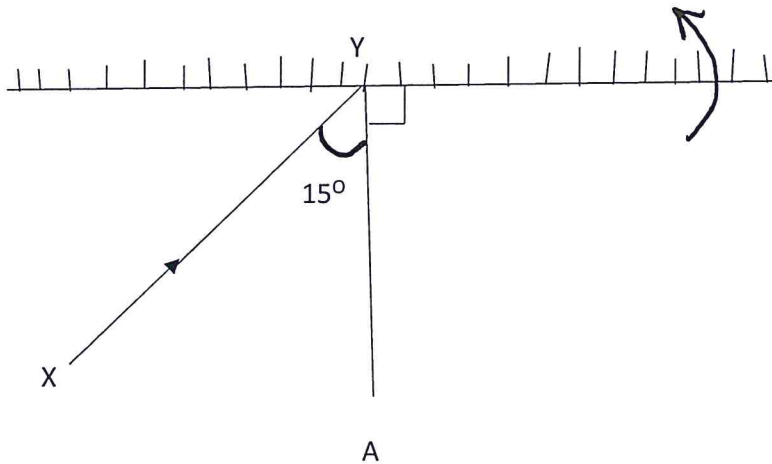
**SECTION B**

[60]

**QUESTION 2**

[16]

2.1 In the figure below, an incident ray XY makes an angle of  $15^\circ$  with a fixed line AY which is normal to the surface of the plane mirror. If the mirror is turned as indicated by the arrow through  $40^\circ$ , what angle will the reflected ray make with AY? (4)



2.2 At what angle ( $\theta$ ) will 2 plane mirrors be inclined so that 11 images will be formed when an object is placed in front of the two mirrors? (4)

2.3 State the two condition that must be fulfilled for total internal reflection to occur. (4)

2.4 A thin glass lens ( $n = 1.5$ ) has a focal length of + 10 cm in air. Compute its focal length in water ( $n = 1.33$ ). (4)

**QUESTION 3**

[15]

3.1 Differentiate between chromatic aberration and spherical aberration and give one example for each of their correction. (6)

3.2 Explain and illustrate schematically a constructive interference. (4)

3.3 Light of wavelength 750 nm passes through a slit  $1.0 \times 10^{-3}$  mm wide. How wide is the central maximum on a screen 20 cm away? (5)

**QUESTION 4** **[14]**

4.1 State Doppler Effect in sound. (2)

4.2 A tuning fork having a frequency of 400 Hz is moved away from an observer and toward a flat wall with a speed of 2.0 m/s. Assume the speed of sound in air to be 340 m/s.

4.2.1 What is the apparent frequency of the unreflected sound wave coming directly to the observer? (3)

4.2.2 What is the apparent frequency of the sound waves coming to the observer after reflection? (3)

4.2.3 How many beats per second are heard? (3)

4.3 A tiny piece of chewing gum is placed on a prong of one fork. Now there is one beat every 0.40 seconds. Was this tuning fork lower- or the higher frequency fork? (3)

**QUESTION 5** **[15]**

5.1 Describe an experiment and show how the fundamental frequency of a closed pipe is obtained. (4)

5.2 The length of air column at which the first resonance was observed, when a vibrating fork was placed on a resonance tube, was 30 cm. Determine the wavelength of the air column and the frequency of the fork. [Take speed of sound as 330 m/s] (4)

5.3 Compute the speed of sound in neon gas at 27°C. For neon,  $M = 20.18 \text{ kg/kmol}$ . [Take the ratio of the specific heat  $\gamma$ , for monoatomic gas as 1.67,  $R = \text{gas constant} = 8314 \text{ J/Kmol.K}$ ]. (3)

5.4 A Sonometer wire of linear density 0.08 kg/m subjected to a tension of 800 N is plucked. Calculate the speed of a pulse, which moves, from one end of the wire to the other. [Note: linear density = mass per unit length]. (4)

**END**